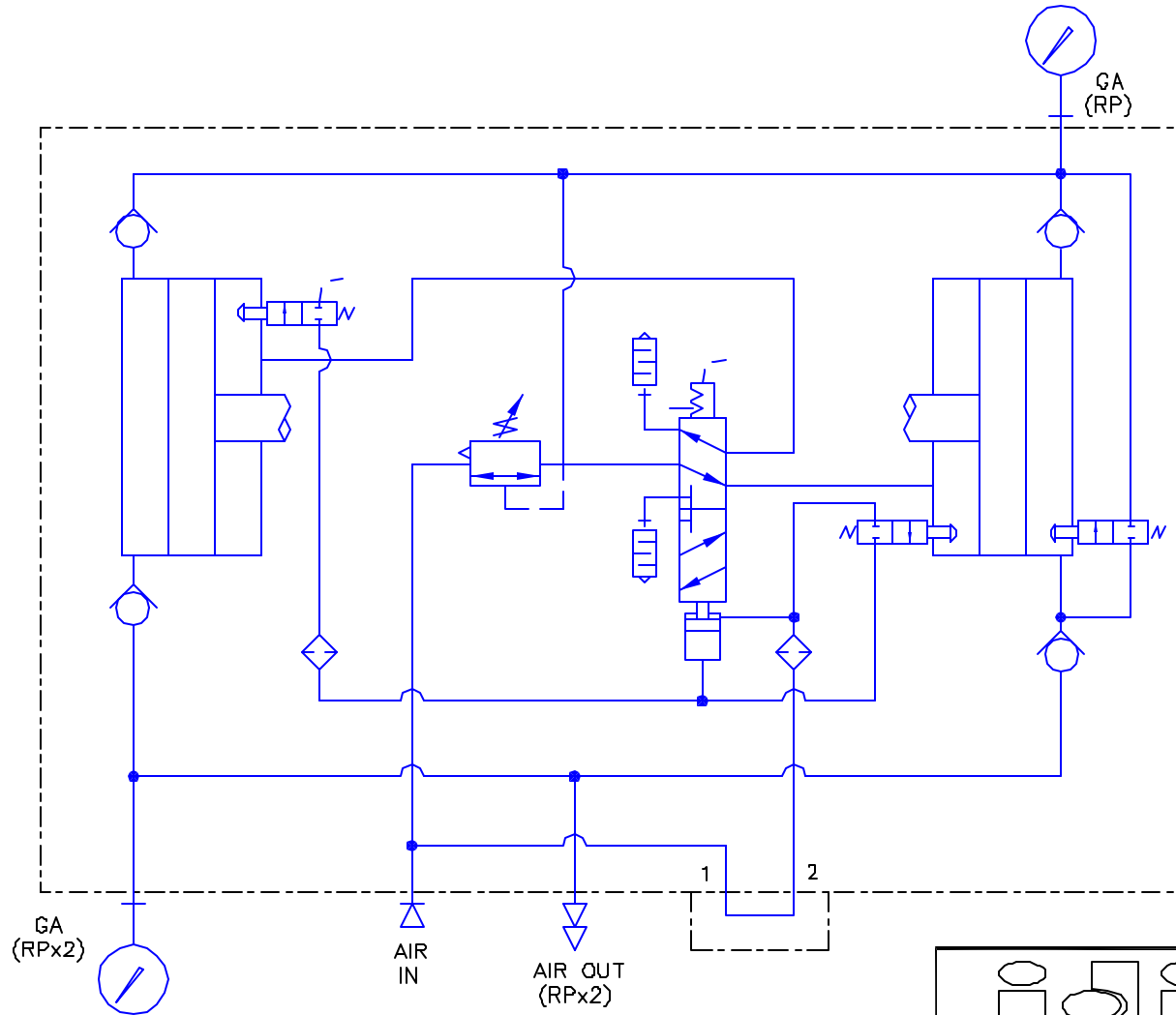

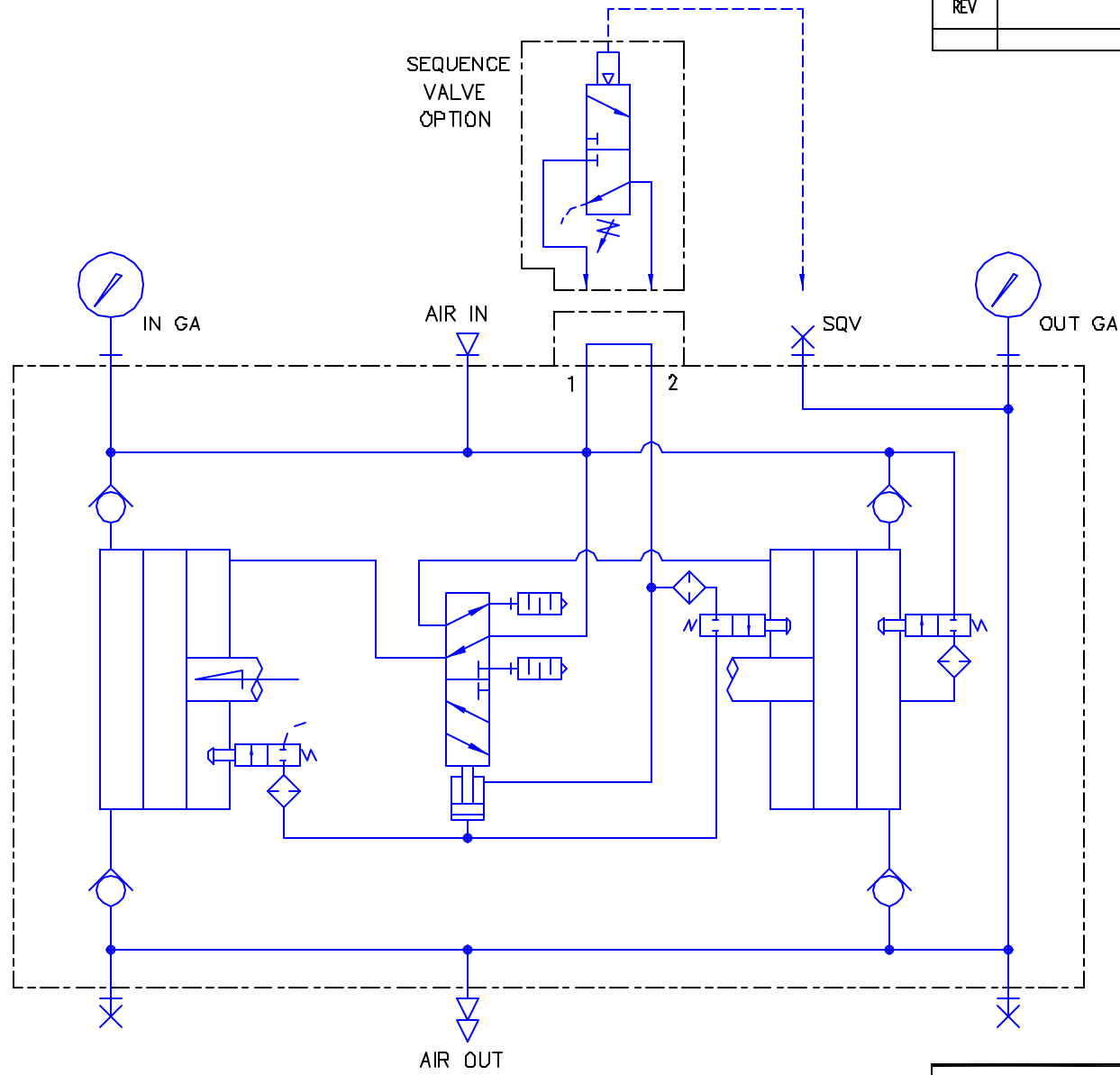



| REV | DESCRIPTION | DATE |
|-----|-----------------------|----------|
| A | DWG NO WAS GA-9711051 | 12/11/02 |
| B | ADD LUNGE VALVE | 12/21/04 |



| | | | |
|---|--|--|--|
|  | | INTERFACE DEVICES, INC. 230 DEPOT ROAD MILFORD, CT 06460 | |
| SCALE: N/A | TITLE: PNEUMATIC SCHEMATIC, AA-54 2:1 AIR AMPLIFIER | | |
| OWN BY: TWH | DATE: 11/14/95 REF: | | |
| SHT: 1 OF: 1 | DWG NO: P30-4001 | REV: B | |

| REV | DESCRIPTION | DATE |
|-----|-------------|------|
| | | |



| | | |
|--|---|------|
|  INTERFACE DEVICES, INC. 230 DEPOT ROAD MILFORD, CT 06460 | | |
| SCALE: N/A | TITLE: PNEUMATIC SCHEMATIC LARGE 2:1 AIR AMP | |
| DWN BY: TWH | REF: MODEL # AA-160 | |
| DATE: 8.5.04 | DWG NO: PS013004-1 | REV: |
| SHT: 1 OF: 1 | | |